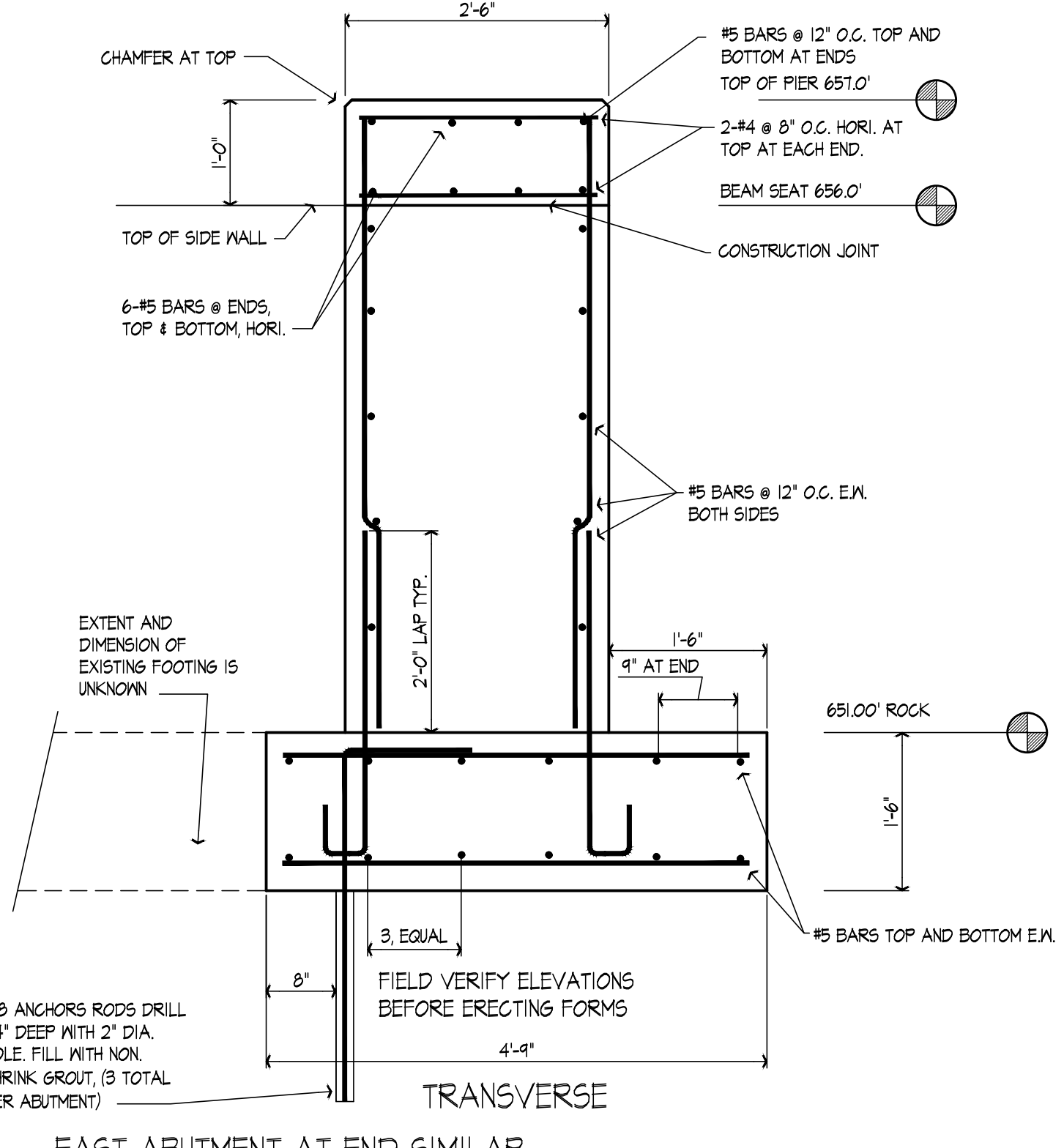
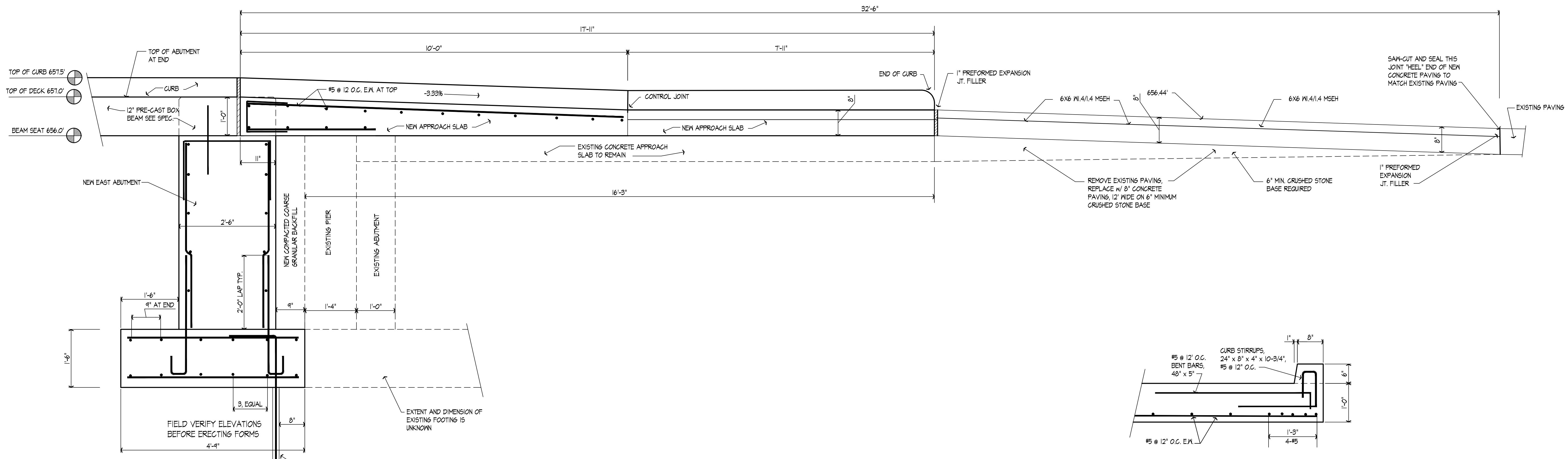


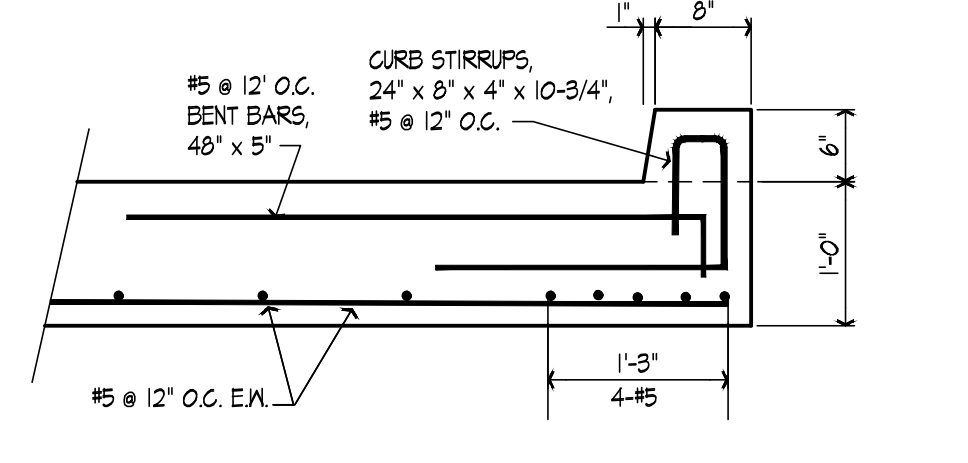
SECTION WEST ABUTMENT 1  
SCALE: 3/4" = 1' - 0"



SECTION WEST ABUTMENT @ END 2  
SCALE: 3/4" = 1' - 0"



SECTION EAST ABUTMENT 3  
SCALE: 3/4" = 1' - 0"



CURB DETAIL ON APPROACH SLAB 4  
SCALE: 3/4" = 1' - 0"

PROPOSED BRADSHAW MILL BRIDGE  
BLUEGRASS CROSSINGS REGIONAL BUSINESS CENTRE  
GREEN RIVER REGIONAL INDUSTRIAL AUTHORITY  
GARRARD COUNTY KENTUCKY

PROJECT NO.	2063-56
DESIGNED BY	GR
DRAWN BY	MSF/ALP
CHECKED BY	GR
REVIEWED BY	AUGUST 2016
DATE	AUGUST 2016
SCALE	AS NOTED

**MSA**  
Engineers  
Architects  
Planners  
OF KENTUCKY, INC.  
Phone: (859)225-5894  
Fax: (859)225-2807  
624 Wellington Way  
Lexington, KY 40503  
www.msainc.com

DRAWING NO.  
**S-3**  
SHEET OF